

FICHA TÉCNICA **N-610**

FRENO PARA CUERDA 16mm (5/8")

N-610 **Panic Rope Grab** **(Open type)**

Stainless steel

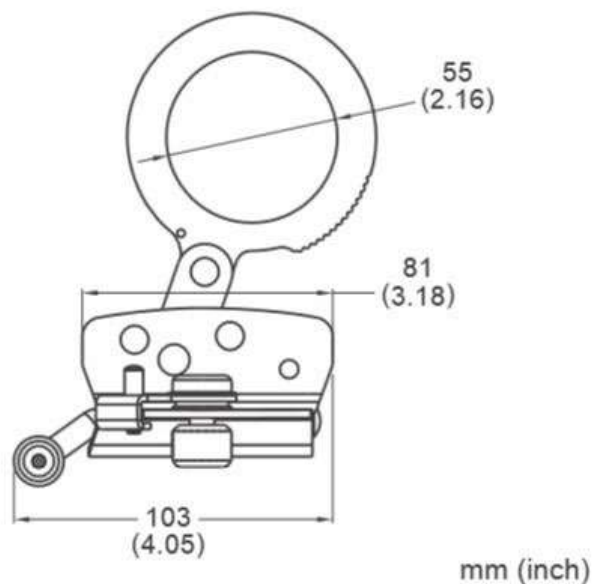
For Rope : 16 mm (5/8 ")

Min. Breaking load : 3600 lbs / 16 kN

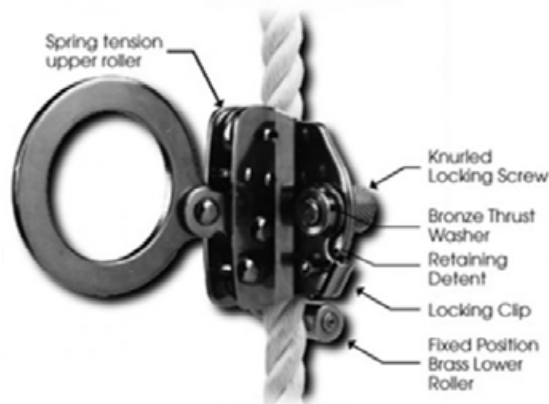
Meets :

- ANSI Z359.1
- EN 353-1/2

Net weight : 20.2 oz. / 572 g.



polished



AlcaCompany

Seguridad Industrial Total



Safety is our first priority™

YOKE INDUSTRIAL CORP.

#39,33rd Road, Taichung Industrial Park,

TAICHUNG 407, TAIWAN

TEL:+886-4-2350 8088

FAX:+886-4-2350 1001

Test Certificate

80047203-000200

TO : HAUK S.A.C.
 Av. Aviacion 4503,
 Surquillo, Lima
 Peru
 Tel: 5196901587

Invoice NO: 90046346

Description: ITEM: N-610
 Open Type Rope Grab, SS Polished
 Batch No : AVN/YVT
 Quantity : 40 PC

Material :	stainless steel
Plating :	Polished

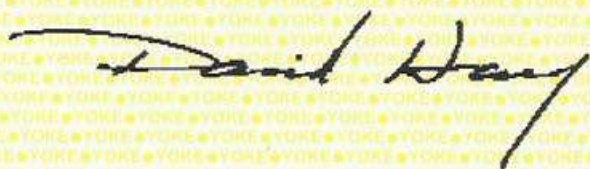
Mini. Breaking Load :	16kN (3600LBS)
-----------------------	-------------------

TESTING ACCORDING TO ANSI Z359.1, CSA Z259.2.1-98, EN 353-1/2

TEST RESULT

Pass

YOKE INDUSTRIAL CORP.



Dated: December 08, 2017